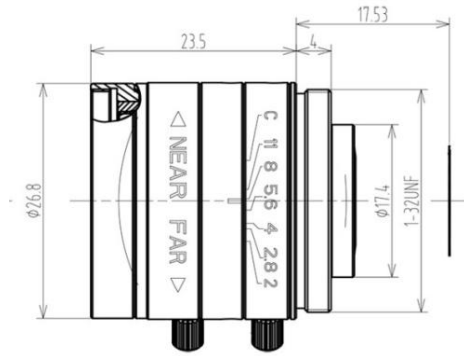


## FEATURES

- ◆ Lens Brand: ZLKC
- ◆ 1/1.8" C-Mount 6mm F2.0 5MP
- ◆ Can suppress light
- ◆ High resolution, low distortion
- ◆ Good seismic performance



## SPECIFICATION

5MP 6mm Manual Iris Lens C Mount		Working Distance	Optical Magnification	1/1.8" Field of View(mm)		
Model	<b>VM0620MP5</b>	mm	-	H	V	
Image Size	1/1.8-inch	900	0.007X	1026	769.5	
Focal length	<b>6mm</b>	850	0.007X	969.8	727.3	
F No.	F2.0-C	800	0.008X	913.5	685.2	
M.O.D(m)	0.1-Inf.	750	0.008X	857.3	643	
Operation	Iris	Manual	700	0.009X	801.1	600.8
	Focus	Manual	650	0.009X	744.9	558.6
Horizontal Angle of View (D×H×V)	1/1.8"	69.8°×59.6°×46°	600	0.010X	688.6	506.5
	1/2.5"	60.9°×48.7°×36.5°	550	0.011X	632.4	474.3
	1/3"	52.4°×41.9°×31.4°	500	0.012X	576.2	432.1
Distortion	<0.1%	450	0.014X	519.9	389.9	
BFL	11.6mm	400	0.015X	463.7	347.8	
Mount	C-Mount	350	0.017X	407.5	305.6	
Object Dimension	351mm×263.3mm (WD=300mm)	300	0.020X	351	263.3	
Dimension	Φ26.8×23.5mm	250	0.024X	295	221.2	
Weight	34.5.0g	200	0.030X	236.6	177.4	
Filter Thread	M25.5x 0.5	150	0.039X	181.1	135.8	
Working Temperature	-20°C ~ +60°C	100	0.058X	125.7	94.3	