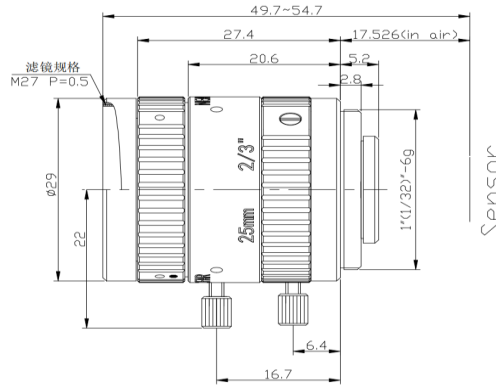


**FEATURES**

- ◆ Lens Brand: ZLKC
- ◆ 2/3" C-Mount 25mm 5MP
- ◆ Excellent brightness
- ◆ High resolution, low distortion
- ◆ Anti-knock, compact appearance


**SPECIFICATION**

5MP 25mm Industrial Lens C Mount		Working Distance	Optical Magnification	View 2/3"(mm)		
Model	<b>FM2518MP5</b>	mm	x	H	V	
Image Size	2/3-inch	1000	0.025X	352.0	264.0	
Focal length	25mm	900	0.028X	316.8	237.6	
F No.	F1.8-16	850	0.029X	299.2	224.4	
M.O.D(m)	0.2-Inf.	800	0.031X	281.6	211.2	
Operation	Iris	Manual	750	0.033X	264.0	198.0
	Focus	Manual	700	0.036X	246.4	184.8
Angle of View (D×H×V)	2/3"	25°×20°×15°	650	0.038X	228.8	171.6
	1/1.8"	20.1°×16.2°×12.1°	600	0.042X	211.2	158.4
	1/2"	18.2°×14.6°×11°	550	0.045X	193.6	145.2
	1/2.9"	10.1°×8.8°×4.9°	500	0.050X	176.0	132.0
TV Distortion	-0.3%	450	0.056X	158.4	118.8	
BFL	13.01mm	400	0.063X	140.8	105.6	
Flange FL	17.526mm	350	0.071X	123.2	92.4	
Mount	C-Mount	300	0.083X	105.6	79.2	
2/3"FOV	70.4mm×52.8mm(WD=200mm)	250	0.100X	88.0	66.0	
Dimension	Φ29×37.3mm	220	0.114X	77.4	58.1	
Weight	63.0g	200	0.125X	70.4	52.8	
Resolution	5.0MP	180	0.139X	63.4	47.5	
Filter	M27 P=0.5mm	150	0.167X	52.8	39.6	
Working Temperature	-20°C ~ +60°C	100	0.250X	35.2	26.4	