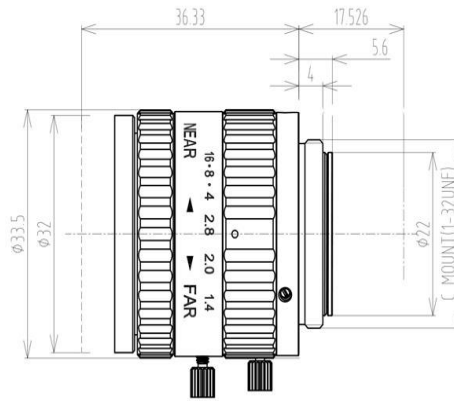


## FEATURES

- ◆ Lens Brand: ZLKC
- ◆ 2/3" C-Mount 25mm F1.4 5MP
- ◆ Can suppress stray light
- ◆ Low distortion, high contrast
- ◆ Required for high accuracy



## SPECIFICATION

5MP 25mm Low Distortion FA Lens C Mount		Working Distance	Optical Magnification	2/3" Field of View(mm)	
Model	<b>HM2514MP5</b>	mm	-	H	V
Image Size	2/3-inch	900	0.028X	317.5	237.7
Focal length	25mm	850	0.029X	299.9	224.5
F No.	F1.4-16	800	0.031X	282.3	211.3
M.O.D(m)	0.1-Inf.	750	0.033X	264.6	198.1
Operation	Iris	Manual	700	0.036X	247.0
	Focus	Manual	650	0.039X	229.4
Angle of View (D×H×V)	2/3"	24.8°×20.0°×15.0°	600	0.042X	211.8
	1/2"	18.1°×14.5°×11.1°	550	0.046X	194.1
Distortion	<0.05%	500	0.050X	176.5	132.0
BFL	12.25mm	450	0.056X	158.9	118.8
Mount	C-Mount	400	0.063X	141.2	105.6
Object Dimension	108.0mm×82.0mm (WD=300mm)	350	0.072X	123.6	92.4
Dimension	Φ32.5×36.5mm	300	0.084X	108.0	82.0
Weight	67.0g	250	0.100X	88.3	66.0
Horizontal Resolution	5.0MP	200	0.126X	70.7	52.7
Filter Thread	M30.5x 0.5	150	0.168X	53.0	39.5
Working Temperature	-20°C ~ +60°C	100	0.253X	35.3	26.3