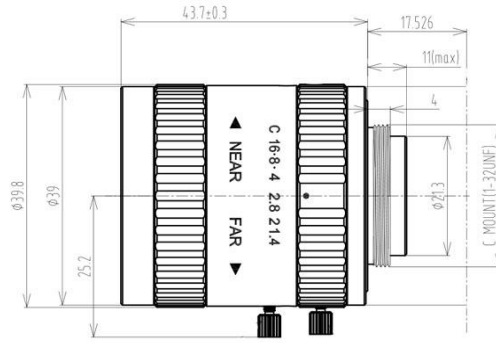


FEATURES

- ◆ Lens Brand: ZLKC
- ◆ 2/3" C-Mount 35mm F1.4 5MP
- ◆ Can suppress stray light
- ◆ Low distortion, high contrast
- ◆ Required for high accuracy


SPECIFICATION

5MP 35mm Low Distortion FA Lens C Mount		Working Distance	Optical Magnification	2/3" Field of View (mm)	
Model	HM3514MP5	mm	-	H	V
Image Size	2/3-inch	900	0.037X	236.2	176.9
Focal length	35mm	850	0.040X	223.2	167.2
F No.	F1.4-16	800	0.042X	210.3	157.5
M.O.D(m)	0.2-Inf.	750	0.045X	197.3	147.8
Operation	Iris	Manual	700	0.048X	184.3
	Focus	Manual	650	0.052X	171.4
Angle of View (D×H×V)	2/3"	17.5°×14°×10.3°	600	0.056X	158.4
	1/2"	12.6°×10.1°×7.6°	550	0.061X	145.5
Distortion	<0.1%	500	0.067X	132.5	99.2
BFL	12.82mm	450	0.074X	119.6	89.5
Mount	C-Mount	400	0.083X	106.6	79.8
Object Dimension	80.7mm×60.4mm (WD=300mm)	350	0.094X	93.7	70.1
Dimension	Φ39×43.7mm	300	0.110X	80.7	60.4
Weight	130.0g	250	0.131X	67.7	50.6
Horizontal Resolution	5.0MP	200	0.162X	54.7	40.9
Filter Thread	M37x 0.5	150	0.213X	41.8	31.2
Working Temperature	-20°C ~ +60°C	-	-	-	-