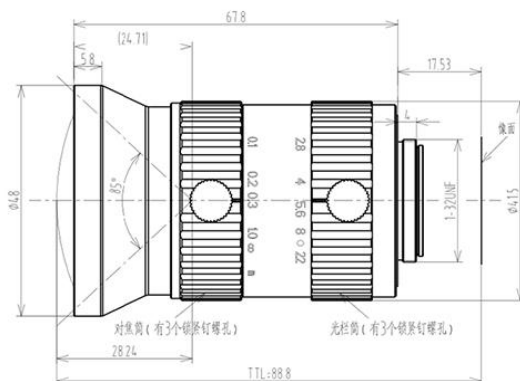


**FEATURES**

- ◆ Brand: ZLKC
- ◆ 4/3" C-Mount 12mm F2.8 20MP
- ◆ Design the high-resolution
- ◆ High Relative Illumination
- ◆ Anti-Vibration, Compact design


**SPECIFICATION**

20MP 12mm Low Distortion FA Lens C Mount		Working Distance	Optical Magnification	4/3" Field of View (mm)		
Model	<b>KM1228MP20</b>	mm	X	H	V	
Image Size	4/3-inch	5000	0.002X	7158.8	5369.1	
Focal length	12mm	2000	0.006X	2883.7	2162.8	
F No.	F2.8-22	1000	0.012X	1458.6	1094.0	
M.O.D(m)	0.1-Inf.	900	0.013X	1316.1	987.1	
Operation	Iris	Manual	800	0.015X	1173.6	880.2
	Focus	Manual	700	0.017X	1031.1	773.4
Angle of View (DxHxV)	4/3"	83.4°x71.2°x56.3°	600	0.020X	888.6	666.5
	1"	66.1°x54.8°x42.3°	550	0.022X	817.4	613.0
	2/3"	47.9°x38.9°x29.6°	500	0.024X	746.1	559.6
Distortion	<1%	450	0.026X	674.9	506.2	
BFL	10.6mm	400	0.029X	603.6	452.7	
Mount	C-Mount	350	0.033X	532.4	399.3	
Object Dimension	461.1mmx345.8mm (WD=300mm)	300	0.038X	461.1	345.8	
Dimension	Φ48x67.8mm	250	0.045X	389.9	292.4	
Weight	245.0g	200	0.056X	318.6	238.9	
Filter Thread	—	150	0.072X	247.4	185.5	
Working Temperature	-20°C ~ +60°C	100	0.103X	176.1	132.1	