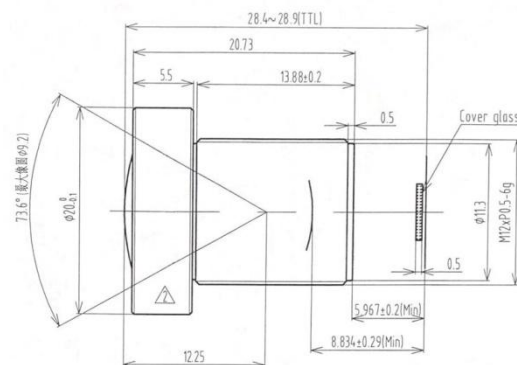


FEATURES

- ◆ Lens Brand: ZLKC
- ◆ 1/1.8" M12-Mount 25mm 5MP
- ◆ Shorter Working Distance
- ◆ High resolution, low distortion
- ◆ Compact & Lightweight


SPECIFICATION

5MP 25mm low distortion lens M12 Mount		Working Distance	Optical Magnification	1/1.8" Field of View(mm)		
Model	MTV25MP5C	mm	-	H	V	
Image Size	1/1.8-inch	950	0.027X	267.8	200.9	
Focal length	25mm	900	0.028X	253.4	190.1	
F No.	F2.8	850	0.030X	239.0	179.3	
M.O.D(m)	0.2-Inf.	800	0.032X	224.6	168.4	
Operation	Iris	Fix	750	0.034X	210.2	157.6
	Focus	Manual	700	0.037X	195.8	146.8
Angle of View (D×H×V)	1/1.8"	19.6°×15.8°×11.6°	650	0.040X	181.3	136.0
	1/3"	13.2°×10.6°×7.9°	600	0.043X	166.9	125.2
Distortion	<0.05%	550	0.047X	152.5	114.4	
BFL	11.36mm	500	0.052X	138.1	103.6	
Mount	M12XP0.5	450	0.058X	123.7	92.8	
Object Dimension(mm)	80.4×60.3 (WD=300mm)	400	0.066X	109.6	81.9	
Resolution	5MP	350	0.076X	94.8	71.1	
Dimension	Φ14×14.5mm	300	0.090X	80.4	60.3	
Weight	7.3g	250	0.109X	66.0	49.5	
Working Temperature	-20°C ~ +60°C	200	0.140X	51.6	38.7	