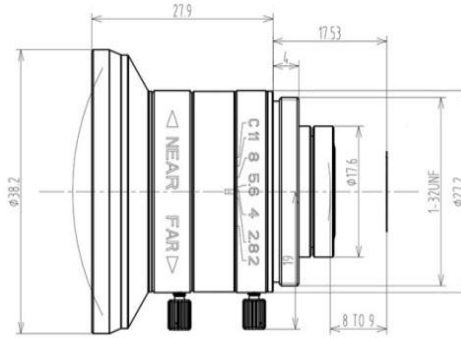


**FEATURES**

- ◆ Lens Brand: ZLKC
- ◆ 1/1.8" C-Mount 4mm F2.0 5MP
- ◆ Can suppress stray light
- ◆ High resolution, low distortion
- ◆ Small volume & Lightweight


**SPECIFICATION**

5MP 4mm Manual Iris Lens C Mount		Working Distance	Optical Magnification	1/1.8" Field of View(mm)		
Model	<b>VM0420MP5</b>	mm	-	H	V	
Image Size	1/1.8-inch	900	0.005X	1574	1181	
Focal length	<b>4mm</b>	850	0.005X	1489	1116	
F No.	F2.0-C	800	0.005X	1403	1052	
M.O.D(m)	0.1-Inf.	750	0.005X	1317	988	
Operation	Iris	Manual	700	0.006X	1233	942
	Focus	Manual	650	0.006X	1147	860
Horizontal Angle of View (D×H×V)	1/1.8"	94°×82.9°×66.5°	600	0.007X	1060	796
	1/2.5"	82.9°×70.7°×56.7°	550	0.007X	974	731
	1/3"	78.2°×61.1°×47.5°	500	0.008X	889	667
Distortion	<0.5%	450	0.009X	803	602	
BFL	8.7mm	400	0.010X	717	538	
Mount	C-Mount	350	0.011X	631	473	
Object Dimension	459mm×344mm (WD=250mm)	300	0.013X	544	409	
Dimension	Φ38.2×27.9mm	250	0.016X	459	344	
Weight	62.3g	200	0.020X	374	281	
Filter Thread	-	150	0.026X	288	216	
Working Temperature	-20°C ~ +60°C	100	0.037X	202	151	