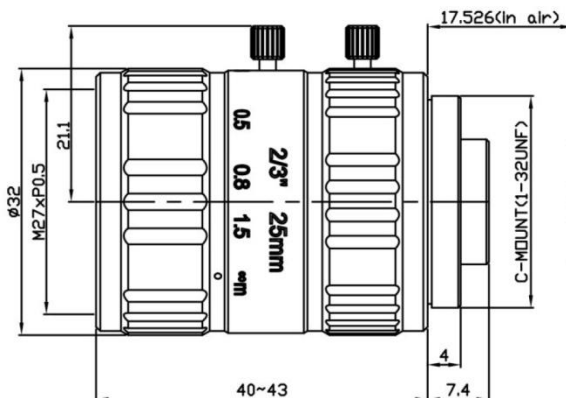


FEATURES

- ◆ Brand: ZLKC
- ◆ 2/3" C-Mount 25mm F2.8
- ◆ Wavelength 420-1000nm
- ◆ Can suppress stray light
- ◆ Low distortion, high resolution
- ◆ Compact & Lightweight


SPECIFICATION

8MP 25mm FA Lens C Mount		Working Distance	Magnification	2/3" Field of View(mm)		
Model	VM2528MP8	mm	-	H	V	
Image Size	2/3-inch	1000	0.025X	352.0	264.0	
Focal length	25mm	900	0.028X	316.8	237.6	
F No.	F2.8-16	850	0.029X	299.2	224.4	
M.O.D(m)	0.1-Inf.	800	0.031X	281.6	211.2	
Operation	Iris	Manual	750	0.033X	264.0	198.0
	Focus	Manual	700	0.036X	246.4	184.8
Horizontal Angle of View (D×H×V)	2/3"	20°×15.3°	650	0.038X	228.8	171.6
	1/1.7"	17.1°×12.8°	600	0.042X	211.2	158.4
	1/1.8"	16.2°×12.1°	550	0.045X	193.6	145.2
	1/2"	14.6°×11°	500	0.050X	176.0	132.0
Distortion	-0.1%	450	0.056X	158.4	118.8	
Flange FL	17.526mm	400	0.063X	140.8	105.6	
Mount	C-Mount	350	0.071X	123.2	92.4	
Object Dimension	52.8mm×39.6mm(WD=150mm)	300	0.083X	105.6	79.2	
Dimension	Φ32×40mm	250	0.100X	88.0	66.0	
Weight	61.7g	220	0.114X	77.4	58.1	
Resolution	8MP	200	0.125X	70.4	52.8	
Filter	M27 P=0.5mm	150	0.167X	52.8	39.6	
Working Temperature	-20°C ~ +60°C	100	0.250X	35.2	26.4	