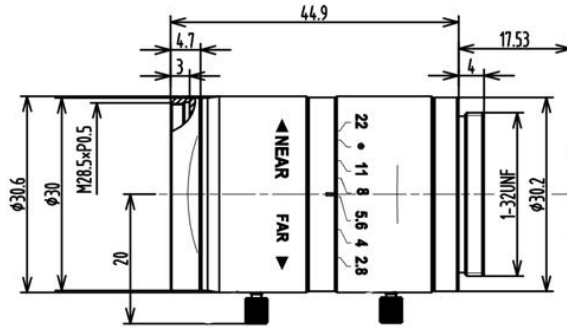


FEATURES

- ◆ Lens Brand: ZLKC
- ◆ 1/1.8" C-Mount 50mm F2.8 5MP
- ◆ Can suppress stray light
- ◆ High resolution, low distortion
- ◆ Small volume & Lightweight


SPECIFICATION

5MP 50mm Manual Iris Lens C Mount		Working Distance	Optical Magnification	1/1.8" Field of View (mm)	
Model	VM5028MP5	mm	-	H	V
Image Size	1/1.8-inch	1200	0.043X	164.2	112.6
Focal length	50mm	1100	0.047X	150.0	112.0
F No.	F2.8-22	1000	0.052X	135.8	101.4
M.O.D(m)	0.2-Inf.	950	0.055X	128.7	96.1
Operation	Iris	Manual	900	0.059X	121.6
	Focus	Manual	850	0.062X	114.5
Horizontal Angle of View (D×H×V)	1/1.8"	10.2°×8.2°×6.1°	800	0.066X	107.4
	1/2.5"	8.2°×6.6°×4.9°	750	0.071X	100.3
	1/3"	6.9°×5.5°×4.1°	700	0.076X	93.2
Distortion	<0.05%	650	0.083X	86.1	64.3
BFL	17.4mm	600	0.090X	78.9	59.0
Mount	C-Mount	550	0.099X	71.9	53.7
Object Dimension	64.8mm×48.4mm (WD=500mm)	500	0.110X	64.8	48.4
Dimension	Φ30×44.9mm	450	0.124X	57.6	43.1
Weight	67.5g	400	0.141X	50.5	37.7
Filter Thread	M28.5x 0.5	350	0.164X	43.4	32.4
Working Temperature	-20°C ~ +60°C	300	0.196X	36.1	27.1